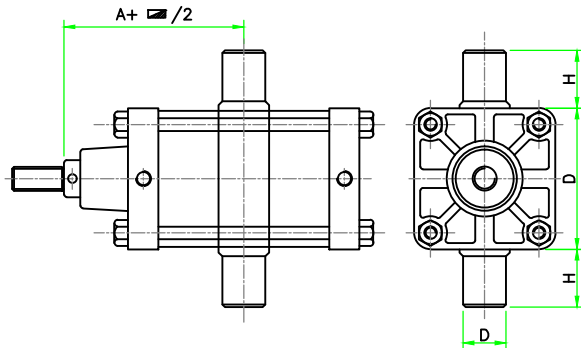
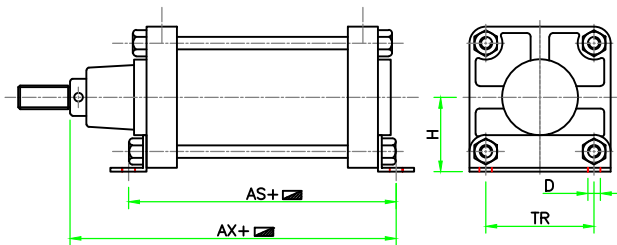


CYLINDER WITH MOUNTING



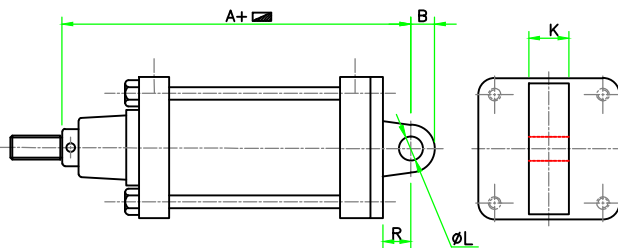
CENTRE TRUNNION MOUNTING

BORE SIZE	MTG. PART NO.	A	φD(Nom)	H	D
127 (5")	50CT	124	38.1	51	159
152 (6")	60CT	132	38.1	50.8	184
203 (8")	80CT	155	44.4	54	248
203 (8")	80CT	117	44.4	54	248
254 (10")	100CT	141	50.8	64	305
304 (12")	120CT	173	76.2	76	381
355 (14")	140CT	173	88.9	102	457



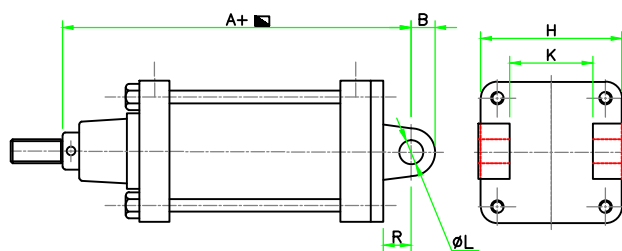
FOOT MOUNTING

BORE SIZE	MTG. PART NO.	AX	AS	TR	D	H
127 (5")	50FM	202	172	108.0	13	89
152 (6")	60FM	232	200	131	17	89
203 (8")	80FM	281	252	88.9	19	122
203 (8")	80FM	244	252	88.9	19	122
254 (10")	100FM	285	286	114.3	26	149
304 (12")	120FM	337	328	139.7	27	178
355 (14")	140FM	352	359	158.8	33	213



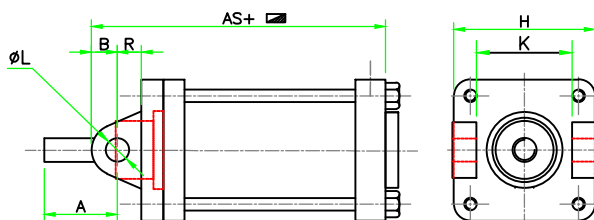
SINGLE PIVOT MOUNTING

BORE SIZE	MTG. PART NO.	A	R	K	DL(Nom)	B
127 (5")	50SP	238	44	56	25.4	25
152 (6")	60SP	264	45	57	25.4	32
203 (8")	80SP	315	48	67	38.1	41
203 (8")	80SP	280	48	67	38.1	41
254 (10")	100SP	319	49	70	38.1	38
304 (12")	120SP	382	57	102	38.1	41
355 (14")	140SP	407	96	127	57.15	54



REAR PIVOT MOUNTING

BORE SIZE	MTG. PART NO.	A	H	K	φL(Nom)	B	R
127 (5")	50RP	211	139.7	88.9	25.4	25	25
152 (6")	60RP	246	172	108.0	25.4	22.6	27
203 (8")	80RP	296	222.3	146.0	38.1	41	29
203 (8")	80RP	263	222.3	146.0	38.1	41	29
254 (10")	100RP	304	269.9	165.1	38.1	44	32
304 (12")	NOT OFFERED AS STD. FEATURE						
355 (14")	NOT OFFERED AS STD. FEATURE						



FRONT PIVOT MOUNTING

BORE SIZE	MTG. PART NO.	A	H	K	φL(Nom)	B	R	AS
127 (5")	50FP	71	139.7	88.9	25.4	25	25	147
152 (6")	60FP	70	172	108.0	25.4	22.6	27	172
203 (8")	80FP	29	222.3	146.0	38.1	41	29	233
203 (8")	80FP	29	222.3	146.0	38.1	41	29	233
254 (10")	100FP	56	269.9	165.1	38.1	44	32	260
304 (12")	NOT OFFERED AS STD. FEATURE							
355 (14")	NOT OFFERED AS STD. FEATURE							

▬ : STROKE OF THE CYLINDER